



OMNICHECK LDS



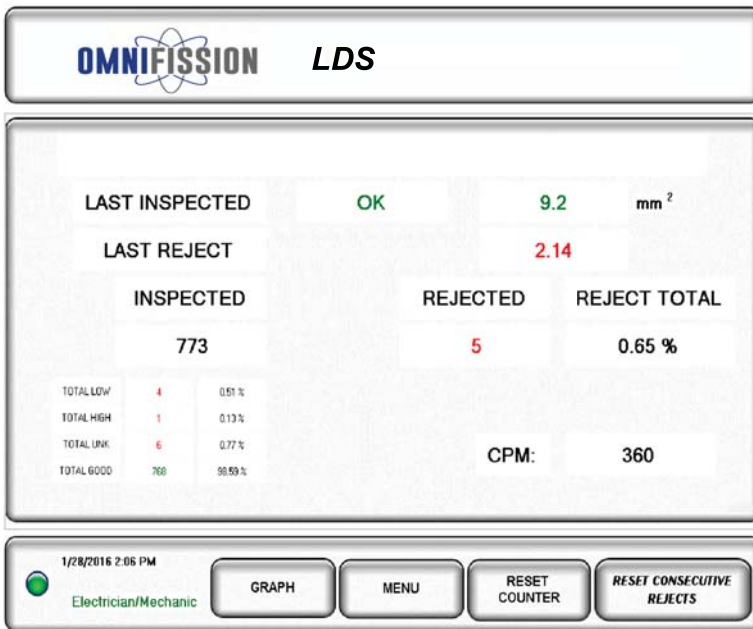
MANUFACTURED IN CANADA



OMNICHECK LDS Closure Inspection System
to detect closure defects in Metal, Glass and
and Plastic Containers



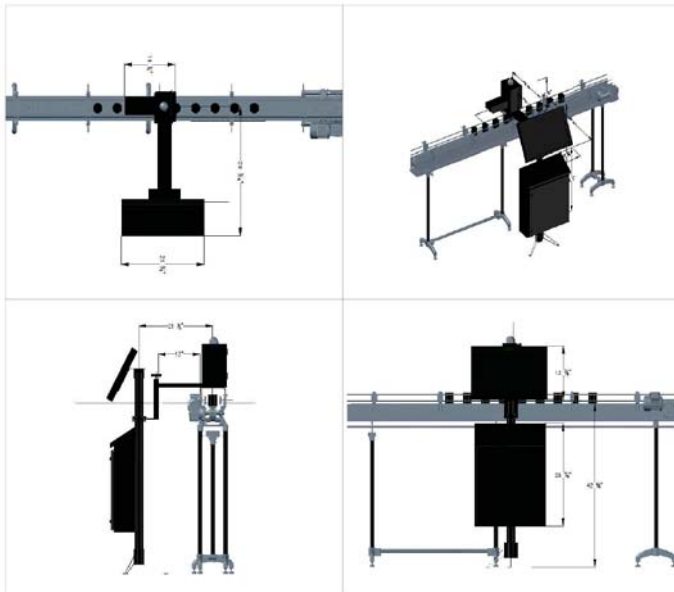
OMNICHECKLDS



System Highlights

- 2D Laser Profiler - Technology Leader
- High Speed Inspection
- Detects Deformed Closures
- Detects Misplaced Closures
- Detects Low Pressure or Lack of Vacuum
- Works on Metal, Glass or Plastic Containers
- Works on Non-Pressurized Foil Closures
- 22" IP 65 Intuitive Touchscreen Interface
- Compact IP 65 Electronic Enclosure
- Repeatable Performance - Integrated Testing
- Standard Remote Access
- FDA 21 CFR Part 11 Complaint
- GMP Design

Dimensions



Specifications

Electrical Requirements: 110 VAC @ 10A or 230 VAC @ 10A • Operating Speed: Up to 1600 CPM • Display Languages: English, French & Spanish
 Environmental Standards: Nema 4X/IP65 • Materials: Stainless Steel Construction