

OMNIFISSION

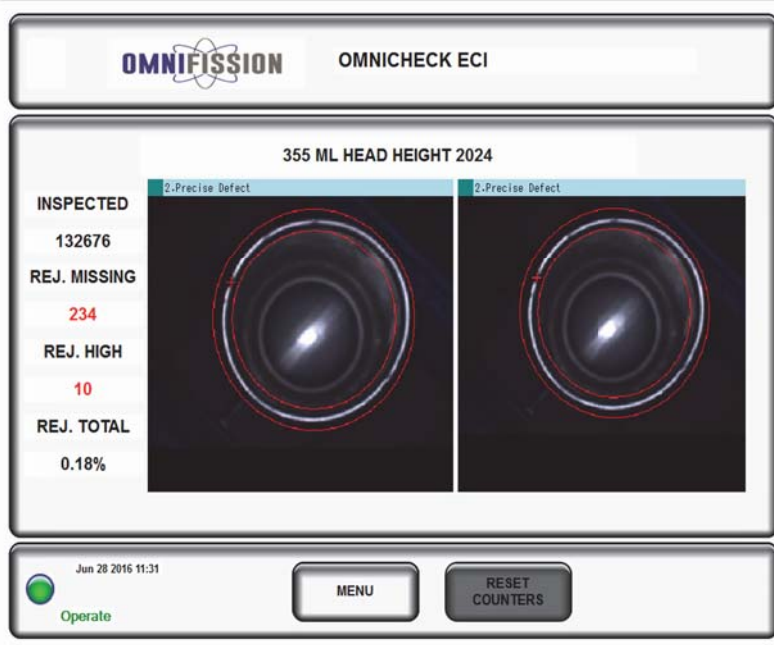
OMNICHECK ECI



MANUFACTURED IN CANADA



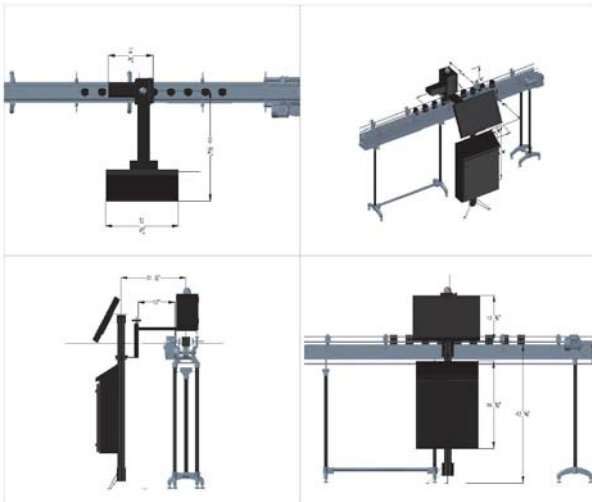
OMNICHECK ECI - Empty Can Inspection System
Camera system to detect can defects and foreign
objects inside empty cans prior to filling single file
High Speed Inspection on Airveyor and Conveyor



System Highlights

- In-Line Automatic Inspection & Rejection System
- Operates Up To 2,400 Cans Per Minute
- Damaged / Dented Flange (Reduces Leakers)
- Flange Ovality (Reduces Seamer Jams)
- Damaged / Dented Side Walls (Reduces Filler In-Feed Jams)
- Damaged / Dented Base
- Foreign Particles
- Accurate Tracking At Full Production Speeds
- Utilizes an OMNILINE High Speed Air Blast Rejector
- Touch-Screen Interface With Remote Access
- Compact Electronics Enclosure
- Optional Graphics Identification
- 22" HMI with Remote Access
- IP65 Electronics Enclosure
- Integrated UPS with Power Monitoring
- Specifically Designed for Airveyor Applications

Dimensions



Specifications

Electrical Requirements: 110 VAC @ 10A or 230 VAC @ 10A • Operating Speed: Up to 2400 CPM • Display Languages: English, French & Spanish
 Environmental Standards: Nema 4X/IP65 • Materials: Stainless Steel Construction