



**Manufactured in
Canada**

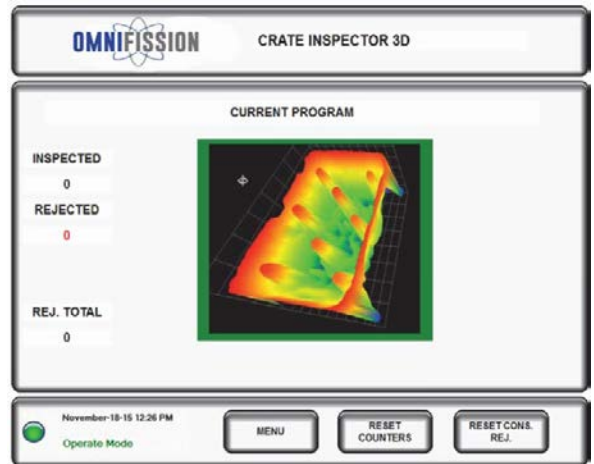
OMNICHECK 3DL-HD

Open crate inspection system 3D profiling technology to monitor missing/misplaced bottles in open crates, detect residual bottles & debris in empty and full crate. High Speed Inspection up to 160 crates per minute

OMNICHECK 3DL-HD

System Highlights

- 3D Laser Profiler - Technology Leader
- High Speed Inspection – up to 160 Crates per Minute
- Detects Residual Bottles/Debris in Empty Crate
- Detects Missing/Misplaced Bottles in Full Crate
- Detects High Bottles (Difference of min. 20mm)
- Detects Missing Caps
- Detects Debris Between Bottles in Full Crate
- Integrated UPS with Power Monitoring
- 100% Automatic Product Inspection
- High Resolution Encoder Tracking
- 22" HMI with Remote Access
- IP 65 Electronics Enclosure



Specifications

Electrical Requirements

110 VAC 10A
230 VAC 5A

Operating Speed

Up to 160 Crates per Minute

Display Languages

English, French, Spanish

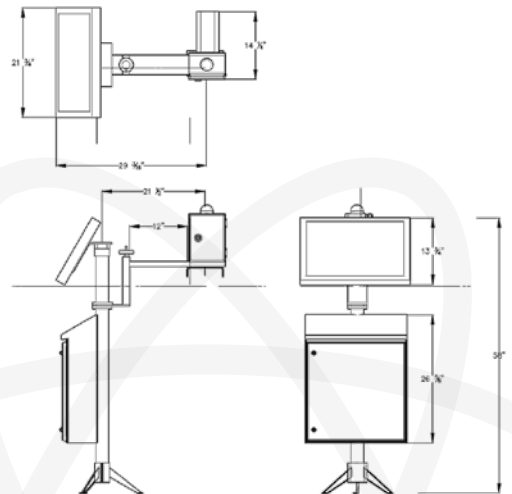
Environmental Standards

Nema 4X / IP65

Materials

Stainless Steel Construction

Dimension



Contact Details

 Omnifission Inc.
1900 Clark Blvd, Unit 1 & 2
Brampton, ON L6T 0E9

 905-405-9777

 OMNIFISSION.COM

 orders@omnifission.com