



Manufactured in
Canada

OMNICHECK EBI (EMPTY BOTTLE INSPECTION)

Inspects bottle base, finish, inner side wall and outer side wall up to 520 bottles per min

OMNICHECK EBI

(EMPTY BOTTLE INSPECTION)

System Highlights

- Empty Bottle Inspection
- Base, Finish, Inner Sidewall and Outer Sidewall
- Bottle Sorting Capability
- Up to 8 Cameras
- Modular with Small Footprint
- Reject Image Library
- User Friendly GUI
- Speeds up to 520 BPM
- High Resolution Encoder Tracking
- 22" HMI with Remote Access
- IP65 Electronics Enclosure
- FDA 21 CFR Part 11 Complaint

Specifications

Electrical Requirements

115 VAC 50-60 Hz, 10A
230 VAC 50-60 Hz, 5A

Operating Temp.

0°C to 45°C

Operating Speed

Up to 520 BPM

Rejector

Omniline Low Pressure
Impulse Rejector

Display Languages

English, French, Spanish

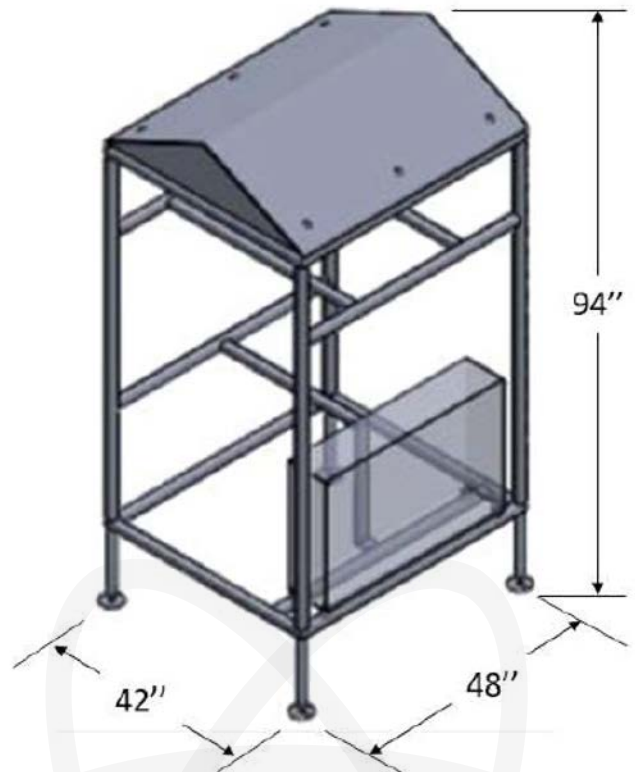
Environmental Standards

Cat-3, Nema 4X / IP65

Materials


Stainless Steel
Construction

Dimension



Contact Details

 Omnifission Inc.
1900 Clark Blvd, Unit 1 & 2
Brampton, ON L6T OE9

 905-405-9777

 www.omnifission.com  orders@omnifission.com