



Manufactured in
Canada

OMNICHECK Wet Case Detection System

OMNICHECK WCD

System Highlights

- Detects Wet Cases
- Standard 16" sensor bar
- Easy installation
- Capable Detection Up To 160 Cases per Minute
- Integrated UPS
- 8" HMI
- Optional 15" HMI with Remote Access
- IP 65 Electronics Enclosure
- Rejection or Line Stop Output Available

Specifications

Electrical Requirement

110 VAC @10A or
230 VAC @5A

Operating Speed

Up to 160 Cases per Min

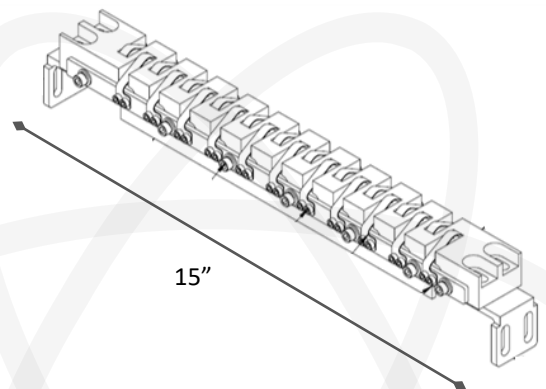
Environmental Standards

Nema 4X/IP65

Materials


Stainless Steel Electronics
Enclosure

Dimension



Contact Details

 Omnifission Inc.
1900 Clark Blvd, Unit 1 & 2
Brampton, ON, L6T OE9

 905-405- 9777

 OMNIFISSION.COM

 orders@omnifission.com